



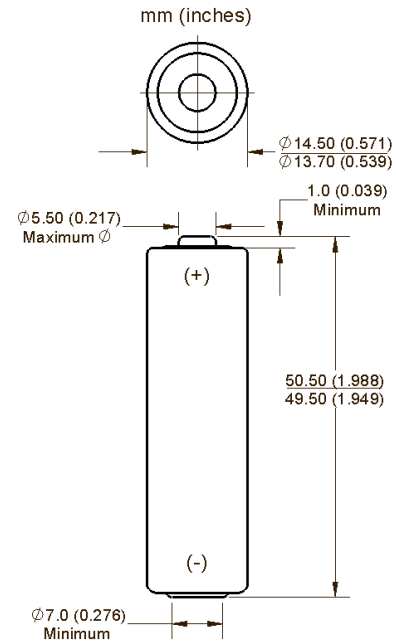
Rayovac Stock Number: **815FUS, 815 OEMFUS**

Name: **15A/AC AA Fusion Alkaline Battery**

## Specifications

**Chemistry:** Alkaline (Zinc-Manganese Dioxide)  
**Designation:** ANSI - 15A, IEC – LR6  
**Nominal Voltage:** 1.5 volts  
**Approximate Weight:** 0.8 Oz (22.8 grams)  
**Approximate Volume:** 0.45 CU IN (7.4 cc)  
**Operating Temp:** -30°C to 55°C (-20°F to 130°F)  
**Shelf Life:** 12 years at 21°C  
**Terminals:** Flat Contact  
**Case material:** Plastic Film  
**Environmental:** No mercury added formulation. Meets Environmental Protection Agency (EPA) requirements for landfill disposal.  
[Rayovac Material Safety Sheets](#)

## IEC Standard Dimensions



## Typical Service Life – ANSI Application Tests

Application and Duty Cycle	Discharge Load	Service
<b>Digital Camera</b> (2 sec Load 1, 28 sec Load 2) 5 min/hr	Load 1: 1.5W Load 2: 0.65W	125 pulses
<b>Grooming</b> 2 min/hr	750 mA	1.35 hours
<b>Lighting</b> 4 min/hr, 8 hr/day	3.9 Ω	8.38 hours
<b>Toy</b> 1 h/day	3.9 Ω	8.79 hours
<b>CD / Games</b> 1 hr/day	250 mA	9.67 hours
<b>Digital Audio</b> 1 hr/day	100 mA	27.0 hours
<b>Remote/Radio/Clock</b> 1 hr on / 7 hr off	50 mA	54.5 hours

## Discharge Curves (Continuous Load)

