



Rayovac Stock Number: 813, 813 OEM

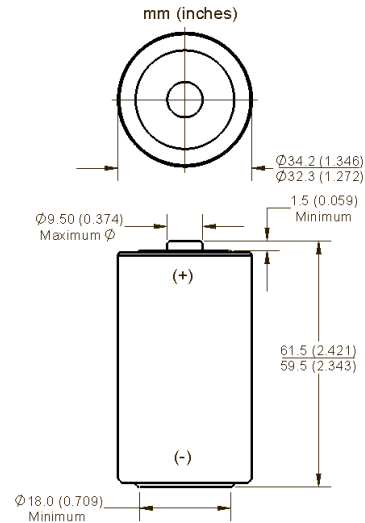
Name: 13A/AC D Fusion Alkaline Battery

## Specifications

<b>Chemistry:</b>	Alkaline (Zinc-Manganese Dioxide)
<b>Designation:</b>	ANSI – 13A/AC, IEC – LR20
<b>Nominal Voltage:</b>	1.5 volts
<b>Approximate Weight:</b>	4.7 Oz (133.6 grams)
<b>Approximate Volume:</b>	3.0 CU IN (48.9 cc)
<b>Operating Temp:</b>	-30°C to 55°C (-20°F to 130°F)
<b>Shelf Life:</b>	10 years at 21°C
<b>Terminals:</b>	Flat Contact
<b>Case material:</b>	Plastic Film
<b>Environmental:</b>	No mercury added formulation. Meets Environmental Protection Agency (EPA) requirements for landfill disposal.

[Rayovac Material Safety Sheets](#)

## IEC Standard Dimensions



## Typical Service Life – ANSI Application Tests

Application and Duty Cycle	Discharge Load	Service
<b>Stereo</b> 2 hr/day	600 mA	17.7 hours
<b>Lighting 1</b> 4 min/15 min, 8 hr/day	1.5 Ω	15.4 hours
<b>Toy</b> 1 hr/day	3.9 Ω	25.7 hours
<b>Radio</b> 4 hr/day	10 Ω	123.9 hours
<b>Lighting 2</b> 4 min/hr, 8 hr/day	2.2 Ω	25.3 hours

## Discharge Curves (Continuous Load)

