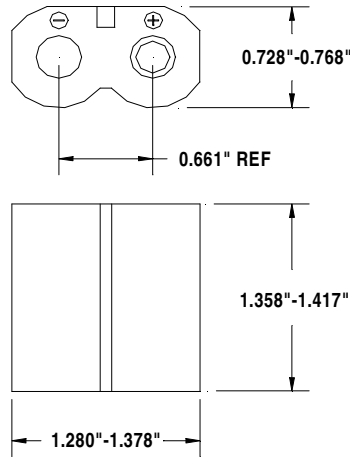


Dimensions:
(ANSI / IEC Standards)



DIMENSIONS	
MM	INCHES
16.8	0.661
18.5	0.728
19.5	0.768
32.5	1.280
34.5	1.358
35.0	1.378
36.0	1.417

Engineering Data:

Cell Chemistry:	Lithium/Manganese Dioxide (CR)
Designation:	ANSI/NEDA-5024LC, IEC-CR-P2
Nominal Voltage:	6.0 V
Maximum off-load voltage:	7.4 V
Approximate Weight:	38 g.
Approximate Volume:	20.1 CU CM
Nominal Capacity:	1400mAh (200 Ohm Cont. to 4.0V @ 20°C)
Operating Temp. Range:	-20°C to 60°C
Storage Temperature Range:	-20°C to 45°C
Terminals:	Cap and Recessed Base
Shell:	Plastic

Typical Service (@ 20°C):

Application:	Load	Load Unit	Duty Cycle	Daily Cycle	EPV	ANSI Min. Ave. Duration	Actual
Rating:	200	Ohms		24 h	4.0	40 Hours	46 Hours
Photo (1)	1800	mA	3s ON/7s OFF	24 h	3.6	650 Pulses	876 Pulses
Photo (2)	1200	mA	3s ON/7s OFF	24 h	3.6	1050 Pulses	1193 Pulses

Environmental: Meets Environmental Protection Agency (EPA) Requirements for landfill disposal. No Mercury Added Formulation.